

WEATHERPROOF HORN LOUDSPEAKERS



• PH10/T

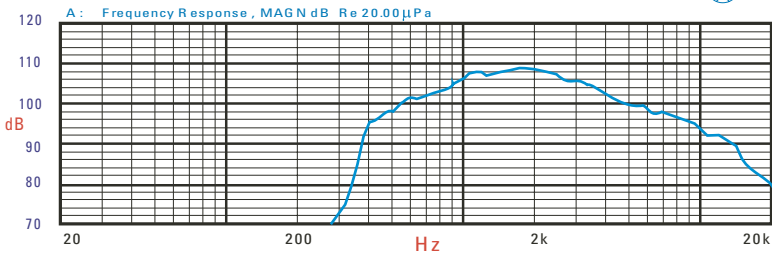
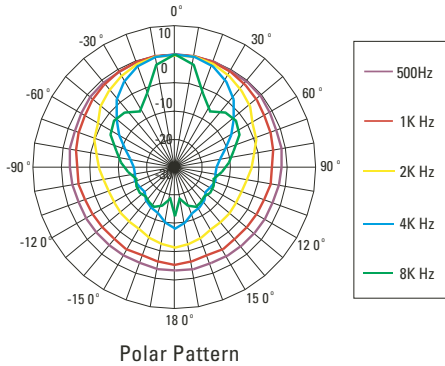
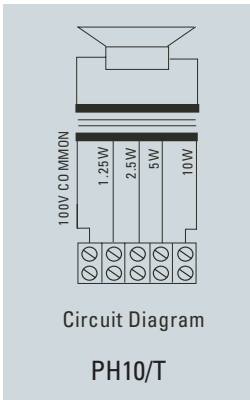
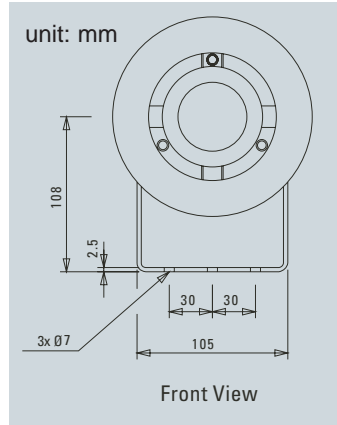
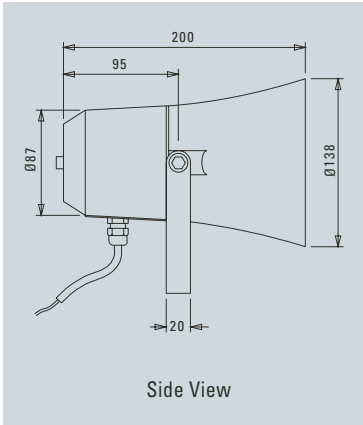
• PH10/TC

Technical Specifications

Rated power, Watts	10
Tappings 100 volt line, Watts	10/5/2.5/1.25
Transformer Impedance, Ohms, 100V	1k/2k/4k/8k
Tappings 70.7 volt line, Watts	5/2.5/1.25/0.625
Driver impedance, Ohms	20 or 8
Effective frequency range, Hz (BS6840)	400–8,000
S.P.L. @ 1m, 1 watt, dB, Test Signal Bandwidth 100Hz-10 kHz	97
S.P.L. @ Full power Octave Bandwidth, dB	107
Acoustic Power (dB-PWL@1 watt) 1 k/2kHz, dB	95 / 97
Dispersion at 1k/2kHz, Degrees	160 / 110
Directivity Axial Q factor, 1 k/2kHz	2.80 / 6.60
Dimensions, front & depth, mm	Ø138 x 200
Net weight, Kgs	1.30
Colour/Finish	Grey RAL7035
Material	ABS plastic housing with UV inhibitors
Mounting	Stainless Steel U Bracket
IP Rating	66

'C' Version can be supplied as BS5839 Part 8 Voice Alarm compliant, on request

PH10/T PH10/TC



Frequency Response



Penton UK Ltd

Unit 2, Teville Industrials, Dominion Way, Worthing, West Sussex BN14 8NW England

Tel: +44 (0)1903 215315 Fax: +44 (0)1903 215415

E-Mail: sales@pentonuk.co.uk Website: www.penton.org