

METAL COLUMN LOUDSPEAKER



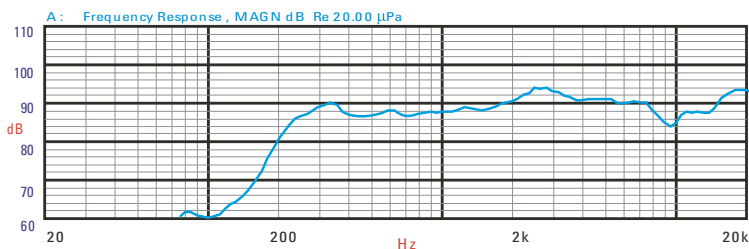
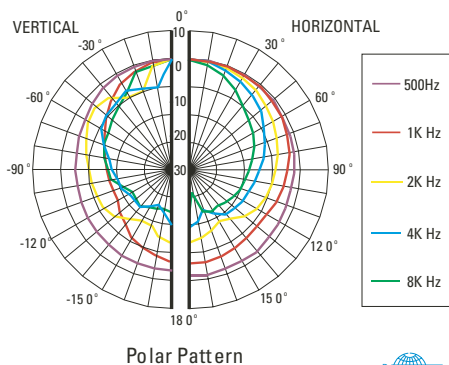
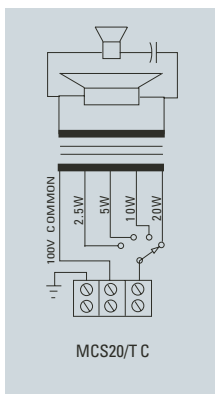
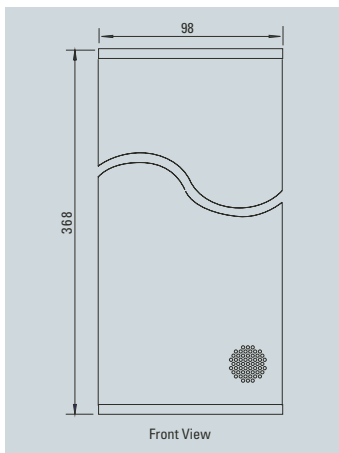
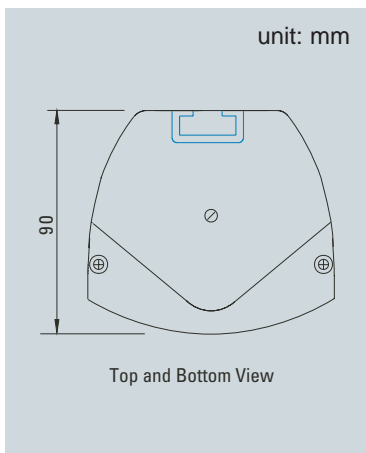
• MCS20/TC

Technical Specifications

Rated power, Watts	20
Tappings 100 volt line, Watts	20/10/5/2.5
Transformer Impedance, Ohms, 100V	500/1k/2k/4k
Tappings 70.7 volt line, Watts	10/5/2.5/1.25
Driver impedance, Ohms	4
Effective frequency range, Hz (BS6840)	170–17,000
S.P.L. @ 1m, 1 watt, dB, Test Signal Bandwidth 100Hz-10 kHz	91
S.P.L. @ Full power, Octave Bandwidth, dB	104
Acoustic Power (dB-PWL@1 watt) 1k/2k Hz, dB	85 / 89
Dispersion at 1k/2k Hz, Degrees	180 / 140 (horizontal) 70 / 120 (vertical)
Directivity Q factor, 1k/2kHz	4.20 / 5.80
Drive Units	2x75 cone driver, 1 x HF unit
Dimensions, front & depth, mm	368 x98 x90
Net weight, Kgs	2.70
Colour/Finish	White RAL9016
Material	Aluminium
Mounting	Steel L bracket

BS5839 Part 8 voice alarm compliant

MCS20/TC



Frequency Response

Penton UK Ltd

Unit 2, Teville Industrials, Dominion Way, Worthing, West Sussex BN14 8NW England

Tel:+44 (0)1903 215315 Fax:+44 (0)1903 215415

E-Mail:sales@pentonuk.co.uk Website:www.penton.org

