

# ABS SPHERICAL LOUSPEAKERS



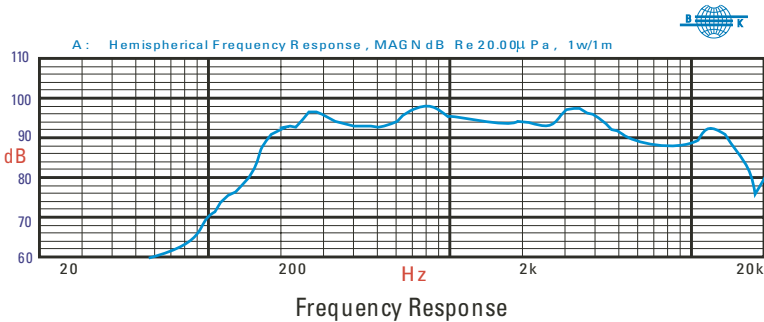
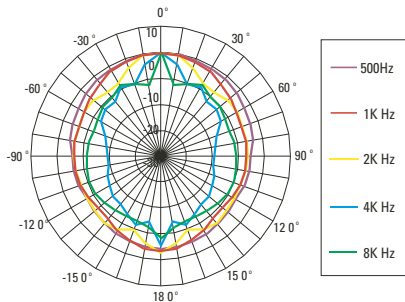
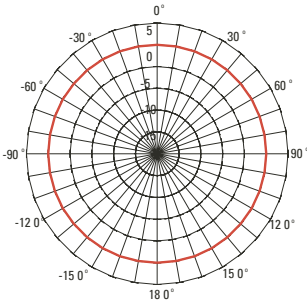
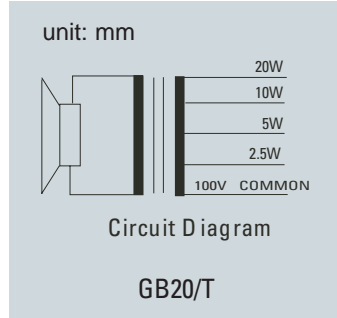
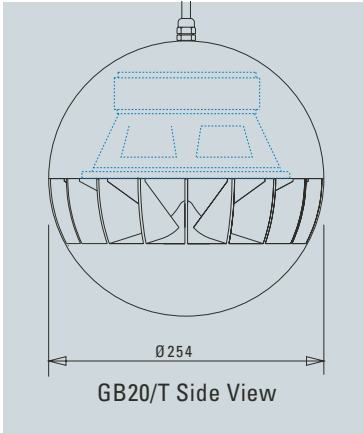
## • GB20/T • GB20/TC

### Technical Specifications

Rated power, Watts	20
Tappings 100 volt line, Watts	20/10/5/2.5
Transformer Impedance, Ohms, 100V	500/1k/2k/4k
Tappings 70.7 volt line, Watts	10/5/2.5/1.25
Driver impedance, Ohms	8
Effective frequency range, Hz (BS6840)	80-18,000
S.P.L. @ 1m, 1 watt, dB, Test Signal Bandwidth 100Hz-10 kHz	93
S.P.L. @ Full power, Octave Bandwidth, dB	107
Acoustic Power (dB – PWL@1 watt) 1 k/2kHz, dB	95 / 90
Dispersion at 1k/2k Hz, Degrees	140 / 160 (Vertical), 360 / 360 (Horizontal)
Directivity Axial Q factor, 1k/2kHz	4.3 / 4.7
Dimensions, front & depth, mm	Ø254
Net weight, Kgs	2.40
Colour/Finish	White
Material	ABS moulding with UV inhibitors
Mounting	Pendant hung

'C' Version can be supplied as BS5839 Part 8 voice alarm compliant, on request

# GB20/T GB20/TC



**Penton UK Ltd**

Unit 2, Teville Industrials, Dominion Way, Worthing, West Sussex BN14 8NW England

Tel:+44 (0)1903 215315 Fax:+44 (0)1903 215415

E-Mail:sales@pentonuk.co.uk

Website:www.penton.org