

METAL SOUND PROJECTORS



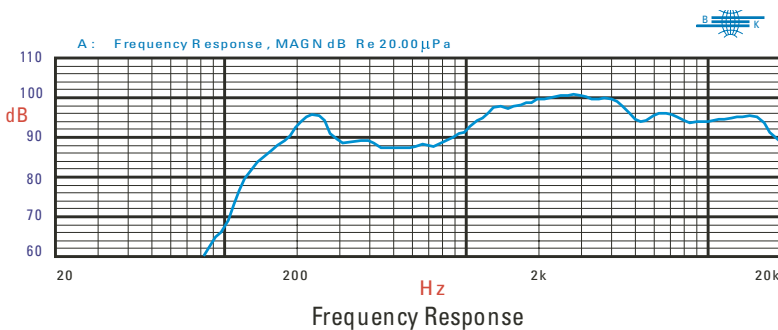
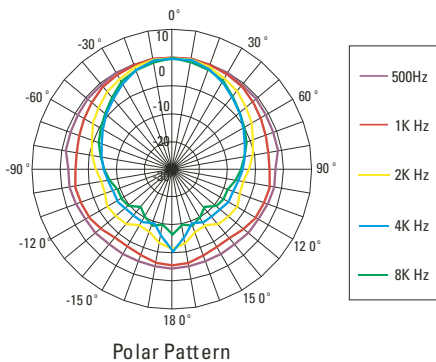
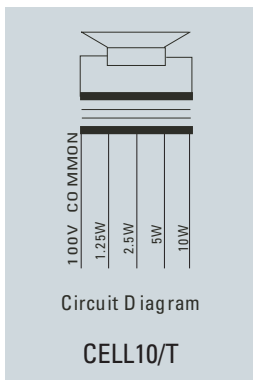
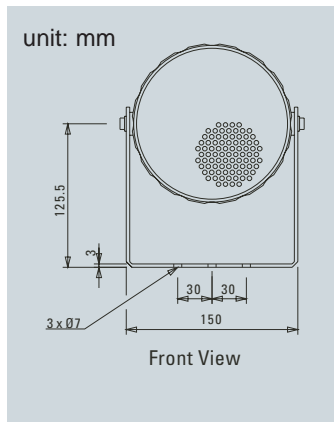
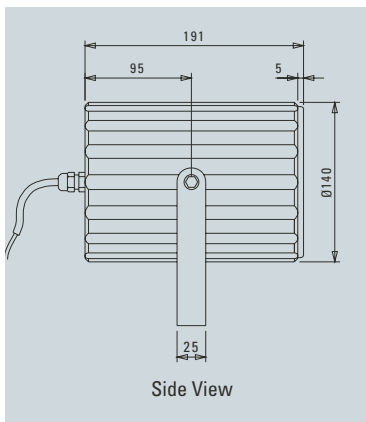
• CELL10/T • CELL10/TC

Technical Specifications

Rated power, Watts	10
Tappings 100 volt line, Watts	10/5/2.5/1.25
Transformer Impedance, Ohms, 100V	1k/2k/4k/8k
Tappings 70.7 volt line, Watts	5/2.5/1.25/0.375
Driver impedance, Ohms	8
Effective frequency range, Hz (BS6840)	120–18,000
S.P.L. @ 1m, 1 watt, dB, Test Signal Bandwidth 100Hz 10 kHz	91
S.P.L. @ Full power Octave Bandwidth, dB	101
Acoustic Power (dB-PWL@1 Watt) 1k/2k Hz, dB	87 / 90
Dispersion at 1k/2k Hz, Degrees	180 / 120
Directivity Axial Q factor, 1k/2kHz	2.80 / 5.90
Dimensions, front & depth, mm	Ø140 x 191
Net weight, Kgs	2.0
Colour/Finish	White RAL9016
Material	Aluminium with Stainless steel hardware
Mounting	Aluminium U bracket

'C' Version can be supplied as BS5839 Part 8 voice alarm compliant, on request

CELL10/T CELL10/TC



Penton UK Ltd

Unit 2, Teville Industrials, Dominion Way, Worthing, West Sussex BN14 8NW England

Tel:+44 (0)1903 215315 Fax:+44 (0)1903 215415

E-Mail:sales@pentonuk.co.uk

Website:www.penton.org