

**Panasonic**  
ideas for life

Weather Proof  
Super Dynamic II Colour Cameras  
(with Low-Light B/W Mode)

# WV-CW370 Series



**Now outdoor surveillance doesn't  
just look futuristic. It is.**

**IP66**  
standard



**SDII**  
Super Dynamic

**Design, features, ease of installation, weather proof, WV-CW370 Series outdoor camera has it all.**

The new Panasonic WV-CW370 Series' streamlined metallic body contains a **Super Dynamic II** camera, 8x variable-focal lens, fan/heater, and IP66 standard approved weather proof outdoor housing.

It's loaded with features that make it ideal for all day, all night 24-hour surveillance, and it's easy to install as well.

Unprecedented stylish design makes it the perfect match for office entrances and communicates the presence of the highest level of security available.

Stylish, silver metallic body **Futuristic**

Blends smoothly into any location/environment **Affinity**

State-of-the-art security image frightens intruders **Deterrent**

Weather Proof

IP66 standard approved

Colour or black-and-white 24-hour surveillance

8x variable-focal lens

**Design**

**High Performance**

**Outdoor**

**Simple to Install**

Super Dynamic II

High-quality imaging with 510-line colour (High) h. resolution

Ultra-sensitive, for lighting as low as 1 lux, at colour imaging

"Invisible Cable" concealed in bracket

Choice of 3 installation methods

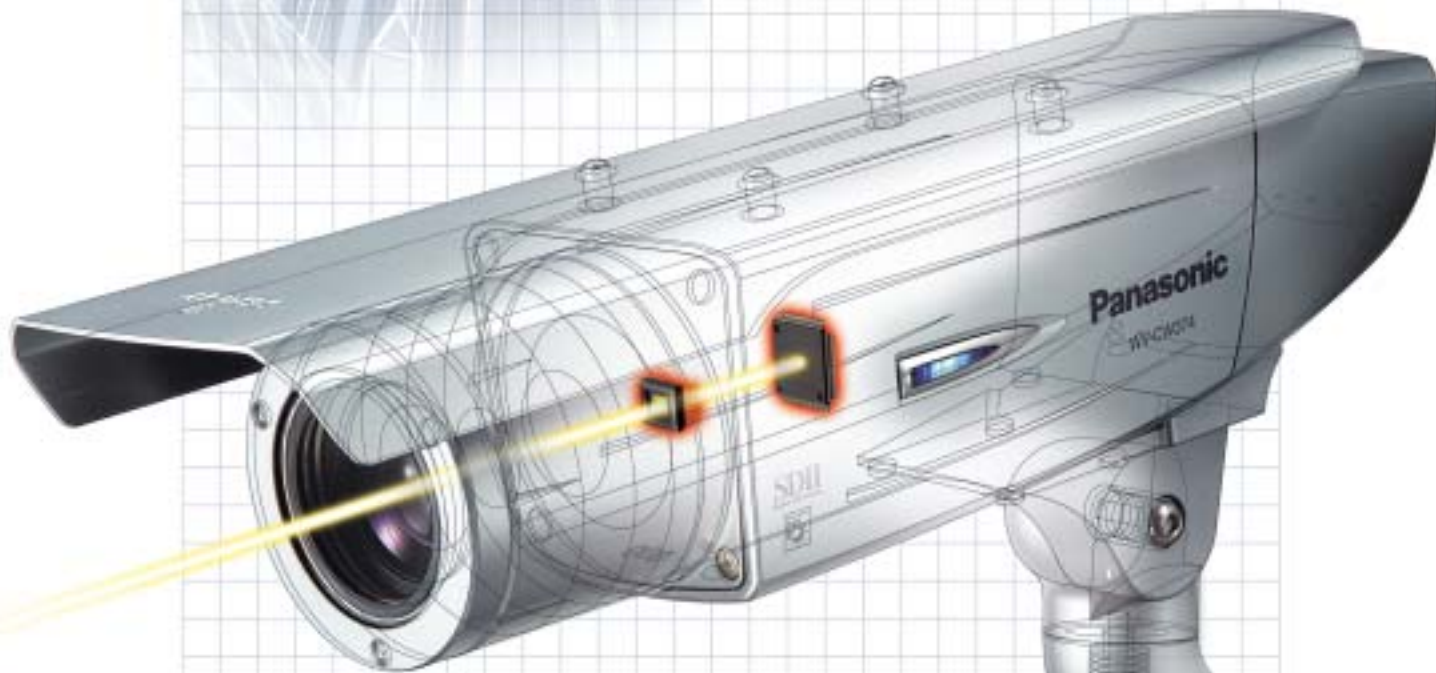
Easy to install

**The ideal form of outdoor surveillance for high-rise office buildings, suburban office complexes, movie theatres, stadiums, museums, shopping malls, airports, terminals, and parking lots.**



## Loaded with advanced surveillance features to ensure dependable weather proof outdoor surveillance

IP66 dust and moisture protection and day/night features make it the perfect choice for 24-hour outdoor surveillance. Equipped with an 8x variable-focal lens and Super Dynamic II image processing, it captures clear images in low-light and dark locations.



OUTDOOR

### Weather proof outdoor use

The WV-CW370 Series model meets the IP66 international standard. The camera can be installed under building eaves, external walls, rooftops and many other locations.



### 24-hour surveillance

As surroundings darken, it switches automatically from colour to black-and-white mode to enhance sensitivity. Then in the morning, the Day/Night feature automatically switches it back to colour. Manual switching is also provided.

Day (Colour mode)



Night (B/W mode) at low-light condition



Day/Night switching

### Built-in Fan/Heater

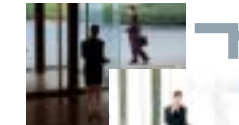
The built-in Fan/Heater turns on automatically when it senses temperature fluctuations, preventing dew condensation in cold or changeable climates. Permits installation in locations with temperatures ranging from -30°C to +50°C.



### Super Dynamic II

Super Dynamic II technology provides 80 times the range of conventional video cameras, providing clear, viewable surveillance images even in extreme backlit and high contrast lighting situations.

Set the lens aperture to the bright section, and the dark section is invisible.



Set the lens aperture to the dark section, and the bright section is invisible.



Digital signal technology allows images with high contrast to be seen on screen.

### 510-line horizontal resolution for clearer, more vivid colour images

Equipped with 752 (H) x 582 (V), 1/3-type CCD that delivers 510-line colour (in High mode) or 570-line resolution in black-and-white.

### Ultra-sensitive for colour surveillance in light as low as 1 lux

This ultra-sensitive camera delivers clear full colour images in lighting as low as 1 lux and clear black-and-white images in lighting as low as 0.15 lux. 32x electronic enhancement ensures clear colour images even in dimly lit spaces.

### 8x variable-focal lens

Equipped with a 5.0 mm - 40.0 mm (8x) variable-focal lens, ensuring the best possible image under surveillance.



### Flat lens structure

The flat surface of the lens makes it difficult for dust, water droplets or snow to stick to it.



### Equipped with sun shield

The built-in sun shield allows this camera to be located in direct sunlight.



### Blue LED to deter intruders

The blue LED on the side of the camera turns on for the deterrent effect, and starts blinking when the motion detector sensor activates. By signally the camera's movement, it warns off intruders.



### VMD (Video Motion Detector) function

When motion is detected in the camera image, an alarm is sent. By connecting the alarm to a digital disk recorder that stores the image, you can construct a highly effective automated image-capture system.



(Turns white only in demo mode)

### Camera title

The monitor displays a title identifying the camera that is the source of the image. The title can be up to 16 characters long and combine alphabetic, numeric, and symbolic characters.



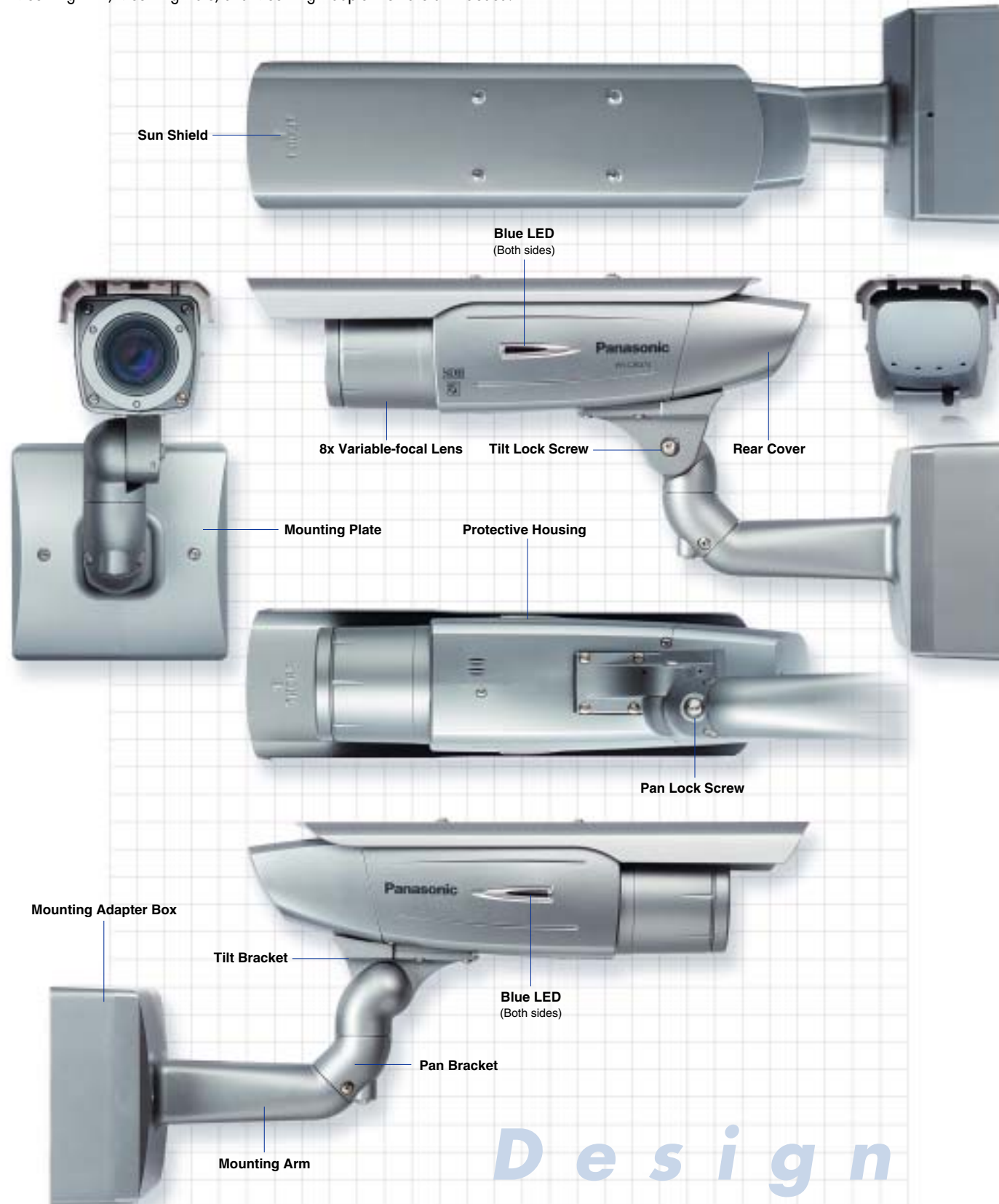
### 24V AC / 12V DC power supply

The WV-CW374 model can use either 24V AC and 12V DC power sources.

HIGH PERFORMANCE

## A total outdoor surveillance solution in one stylish unit

Super Dynamic II camera, 8x variable-focal lens, Fan/Heater, Protective Housing, Pan/Tilt bracket, Mounting Arm, Mounting Plate, and Mounting Adapter Box are all included.



*Design*

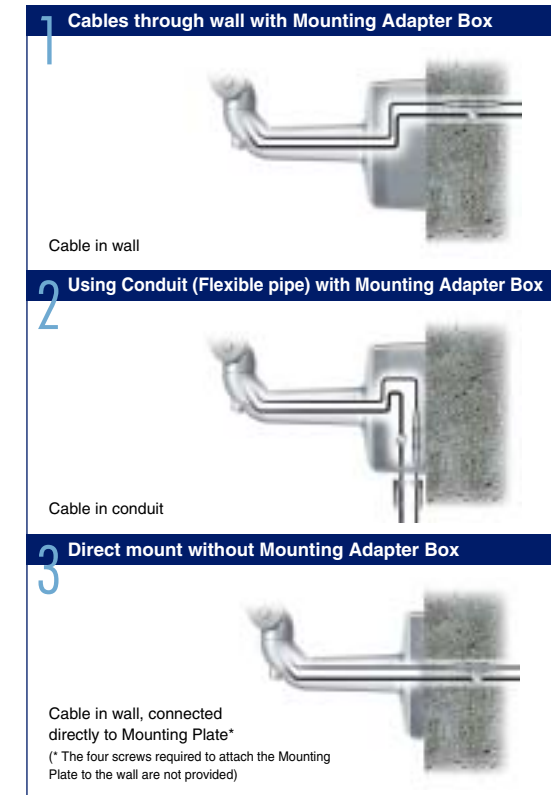
SIMPLE & EASY TO INSTALL

### Invisible Cable; Clean, Simple Lines

Both camera and wall cables are concealed inside the bracket.



### 3-way Installation



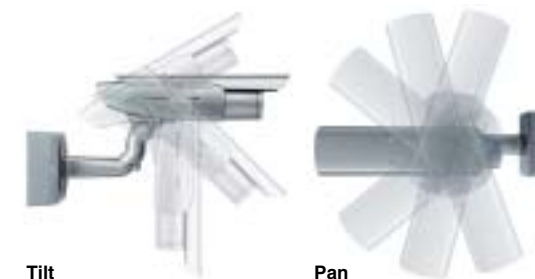
### Equipped with Monitor output connector

Since a small LCD monitor (option) can be attached to the monitor output connector (3.5mm in diam. Mini jack), camera angle and focus can be checked on the spot.



### Flexible camera angle settings

The bracket allows the camera to Tilt +30° ~ -90° and pan, making it possible to freely adjust the camera angle.



### Simple Installation Procedure



### The opening can be either on the left or the right side

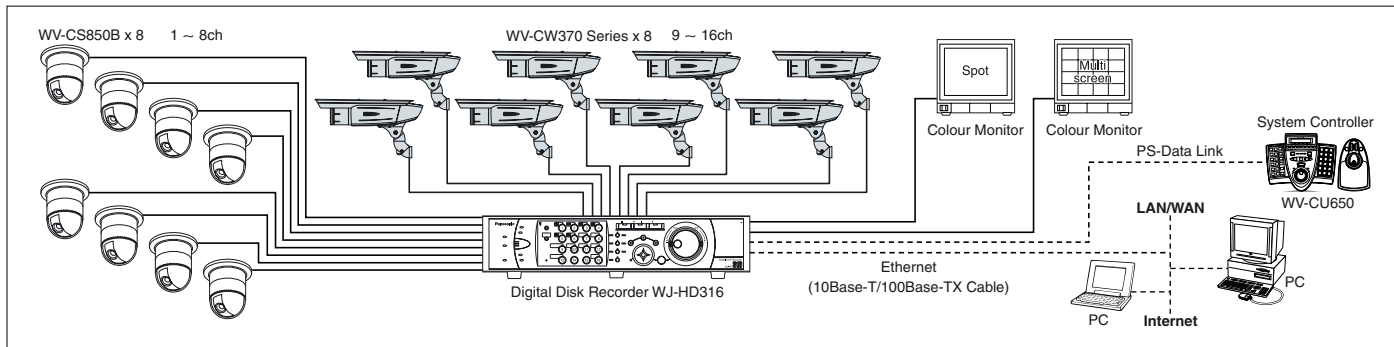
The Mounting Plate opening can be either on the left or the right. However, it is best if one side is tightly pressed against a wall.



### Fits neatly above the existing junction box.

Installation is simple because the Mounting Adapter Box and Mounting Plate are designed to be mounted directly above the existing junction box.

## SYSTEM EXAMPLE



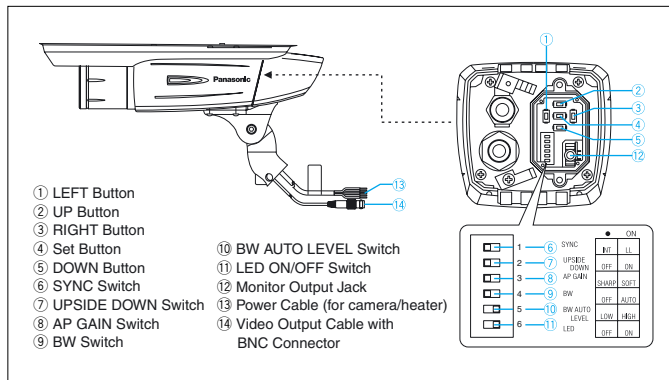
## SPECIFICATIONS

Model No.	WV-CW370	WV-CW374
<b>Pick-up Device</b>	752 (H) x 582 (V) pixels, interline transfer CCD	
<b>Scanning Area</b>	4.86 (H) x 3.62 (V) mm	
<b>Scanning</b>	625 lines / 50 fields / 25 frames Horizontal: 15.625 kHz, Vertical: 50 Hz	
<b>Scanning System</b>	2 : 1 interlace	
<b>Synchronization</b>	Internal / Line lock (220V - 240V AC / 24V AC) / VD2 lock	
<b>Video Output</b>	1.0V[p-p] PAL composite / 75 Ω	
<b>Horizontal Resolution</b>	510 lines colour imaging (at high mode) 480 lines colour imaging (at normal mode) 570 lines B/W imaging	
<b>S/N Ratio</b>	50dB (min.) <luminance S/N> (at AGC ON, weight ON)	
<b>Mini. Illumination</b>	1.0 lux at colour imaging, 0.15 lux at B/W imaging	
<b>AGC</b>	Selectable ON (High/Mid/Low), OFF	
<b>White Balance</b>	Selectable ATW1/ATW2 and AWC (SET UP MENU)	
<b>Aperture</b>	Variable (SET UP MENU)	
<b>Electronic Light Control</b>	Equivalent to continuous variable shutter speed between 1/50s and 1/10,000s	
<b>Dynamic Range</b>	48dB typical	
<b>ALC Lens</b>	DC	
<b>Character Generator</b>	ON SCREEN SET UP MENU, CAMERA ID	
<b>Lens Type</b>	8x variable focal lens	
<b>Focal Length</b>	5.0 - 40.0 mm	
<b>Aperture Ratio</b>	1:1.6 (Wide) to 176, F1.9 (Tele) to 176, close	
<b>Angular Field of View</b>	Horizontal; 6.6° - 52° Vertical; 5.0° - 39.6°	
<b>Min. Object Distance</b>	1.2 m (3.9 ft) - ∞	
<b>DIP SW</b>	(1) SYNC Switch: INT/LL (2) Upside down Switch: ON/OFF (3) Aperture Switch: SOFT/SHARP (4) Day/Night Switch: AUTO/COLOUR FIX (5) B/W Level: High/Low (6) LED: ON/OFF	
<b>Ambient Operating Temperature</b>	-30°C - +50°C	
<b>Ambient Operating Humidity</b>	Less than 90 %	
<b>Power Source and Power Consumption</b>	220 V - 240 V AC 50 Hz; 13 W	For camera 24 V AC 50 Hz; 3.7 W 12 V DC; 365 mA For heater 24 V AC 50 Hz; 11 W
<b>Dimensions (W x H x D)</b>	130 x 237 x 462 mm	
<b>Weight</b>	1.5 kg	1.4 kg

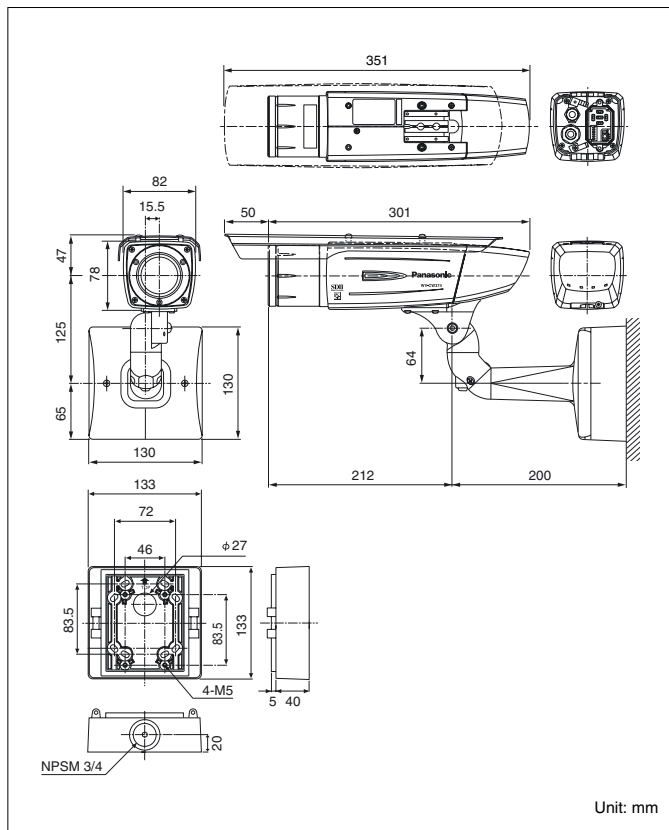
## OPTIONAL COMPONENTS

<b>Digital Disk Recorders</b> <b>WJ-HD316 (16ch)</b>  <b>PS•Data</b> <b>WJ-HD309 (9ch)</b>  <b>PS•Data</b>	<b>System Controller</b> <b>WV-CU650</b>  <b>PS•Data</b>	<b>MATRIX SYSTEM 150</b> Matrix Switcher <b>WJ-SX150A</b> Matrix Switcher (with Multiplexer Function) <b>WJ-SX155</b> System Controller <b>WV-CU360CJ</b> 		
<b>Colour Monitors</b> <b>WV-CM2080</b> 55cm CRT  <b>PS•Data</b>	<b>WV-CM1780</b> 45cm CRT  <b>PS•Data</b>	<b>WV-CM1480</b> 40cm CRT  <b>PS•Data</b>	<b>WV-CM1420</b> 37cm CRT 	<b>WV-CM1020</b> 25cm CRT 

## MAJOR OPERATING CONTROLS



## APPEARANCE



**Important** – Safety Precaution: carefully read the operating instructions and installation manual before using this product.

• All TV pictures are simulated. • Weights and dimensions are approximate. • Specifications are subject to change without notice. • These products may be subject to export control regulations.

## DISTRIBUTED BY:

**Panasonic System Solutions Company**  
**Matsushita Electric Industrial Co., Ltd.**  
 4-3-1, Tsunashima-higashi, Kohoku-ku, Yokohama,  
 223-8639, Japan  
 Tel 81(0)45-540-5769  
 Fax 81(0)45-540-5773  
 URL <http://panasonic.co.jp/ps/cct/en/index.html>

# Panasonic

Panasonic is the brandname of Matsushita Electric.  
 Printed in Japan WV-JKCW370C(2N-732)