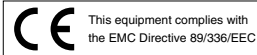


37cm CRT Colour AV Monitor WV-CM1420

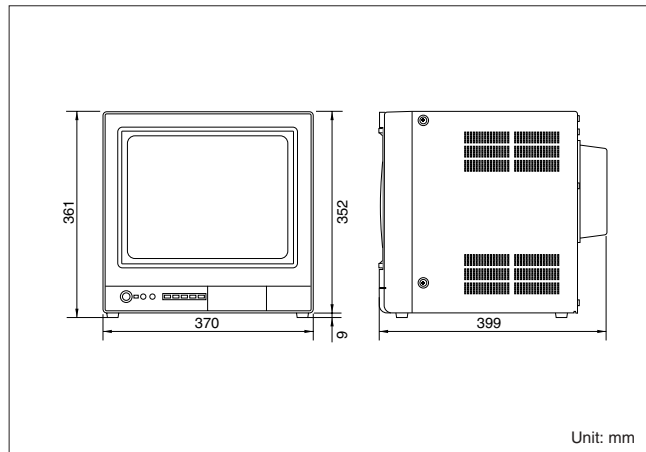


- 37cm diagonal CRT size.
34cm actual diagonal visual size.
- 330 TV lines h. resolution.
- Selectable 2 channels A/B.
- Max. 0.5W speaker output.
- Optional adapter WQ-LM140 for EIA 19-type rack.

WQ-LM140
(optional)



DIMENSIONS

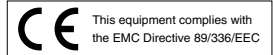


SPECIFICATIONS

Power Source	220 V - 240 V AC, 50 Hz
Power Consumption	60 W (Approx.)
Input/Output	Video (Input: 2 / Output: 2) -- BNC; 1.0 V [p-p] composite / 75 Ω or Hi-z looping through Audio--RCA; 1 Input / 1 Output
TV System	PAL
Horizontal Resolution	330 lines at centre
PS-Data Link Connector	No
Sweep Linearity	Less than 5%
Sweep Geometry	Less than 2%
Overscanning	8%
Actual Visual Size (Approx.)	34 cm diagonal
CRT Size (Approx.)	37 cm diagonal
19-type Rack-Mount	△Yes
Ambient Operating Temperature	-10 °C - +50 °C
Ambient Operating Humidity	Less than 90 %
Speaker Output	0.5 W
Dimensions (W x H x D)	370 x 361 x 399 mm
Weight	13 kg

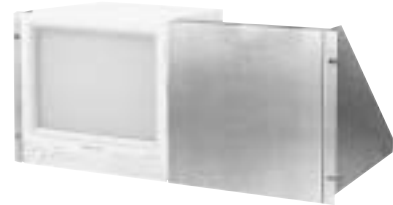
△: with optional rack angle bracket

25cm CRT Colour AV Monitor WV-CM1020

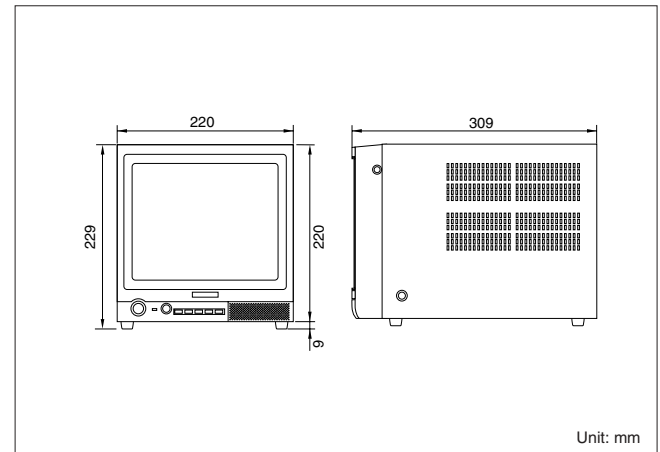


- 25cm diagonal CRT size.
22cm actual diagonal visual size.
- 300 TV lines h. resolution.
- Selectable 2 channels A/B.
- 2 loop through video/audio connectors.
- Max. 0.5W speaker output.
- Optional adapter WV-Q52A for EIA 19-type rack (up to two monitors).

WV-Q52A
(optional)



DIMENSIONS



SPECIFICATIONS

Power Source	220 V - 240 V AC, 50 Hz
Power Consumption	47 W (Approx.)
Input / Output	Video (Input: 2 / Output: 2) -- BNC; 1.0 V [p-p] composite / 75 Ω or Hi-z looping through Audio--RCA; 1 Input / 1 Output
TV System	PAL
Horizontal Resolution	300 lines at centre
PS-Data Link Connector	No
Sweep Linearity	Less than 5%
Sweep Geometry	Less than 2%
Overscanning	8%
Actual Visual Size (Approx.)	22 cm diagonal
CRT Size (Approx.)	25 cm diagonal
19-type Rack-Mount	△Yes
Ambient Operating Temperature	-10 °C - +50 °C
Ambient Operating Humidity	Less than 90 %
Speaker Output	0.5 W
Dimensions (W x H x D)	220 x 229 x 309 mm
Weight	6.5 kg

△: with optional rack angle bracket