

*& Camera Housing*

*B  
r  
a  
c  
k  
e  
t*

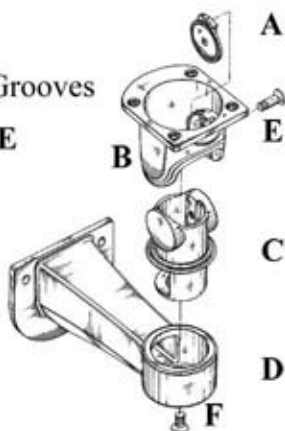
**METRO**



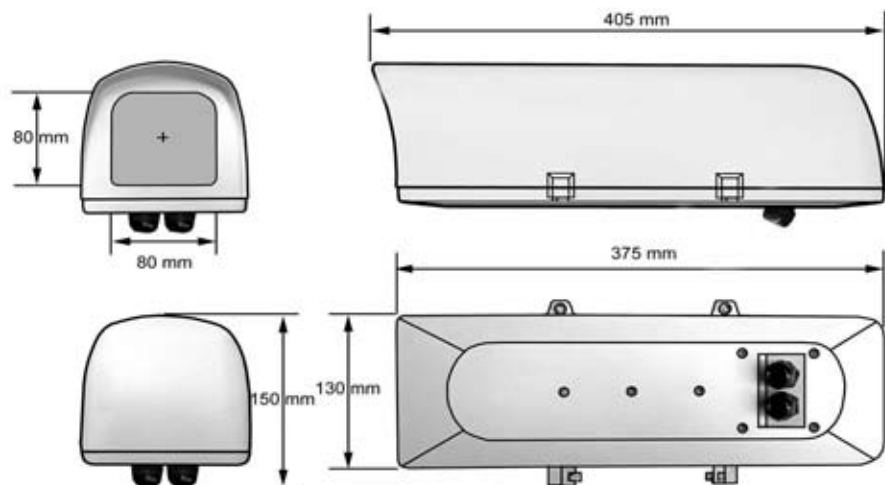
*Product  
Manual*

## BRACKET ASSEMBLY

1. Insert Part A into Part B, Locating In The 2 Grooves
2. Insert Part C into Part AB And Insert Screw E through side of Part B for Tilt Adjustment
3. Insert Part ABC into Part D
4. Finally Insert Screw F through Base of Part D And Locate in Part ABC and Tighten



## EXTERNAL DIMENSIONS



**MAXIMUM INTERNAL DIMENSIONS**  
**320mm Length x 110mm Width x 90mm Height**

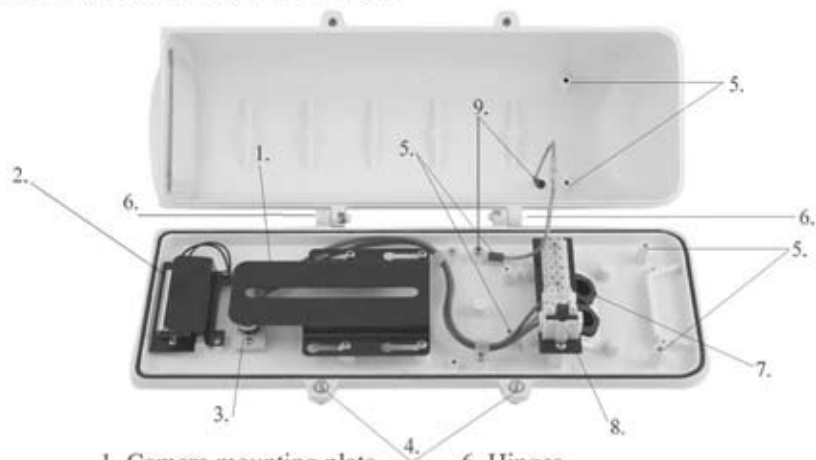


Insert 4 Screws to attach bracket ensuring curve of bracket faces rear of housing base



2 Cable options as shown

# INTERNAL LAYOUT



- 1. Camera mounting plate
- 2. Heater element
- 3. Thermostat control board
- 4. Retained housing fixings
- 5. Additional fixing lugs
- 6. Hinges
- 7. Cable glands
- 8. Connector block
- 9. Earth points

## ADDITIONAL FEATURES

### 1. Flexible Internal Layout

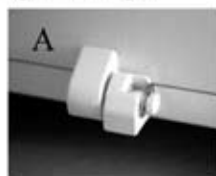


A. Standard

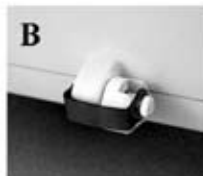


B. Creating an additional 60mm of internal camera space

### 2. Hinge Fixings



A. Standard hinge fixing



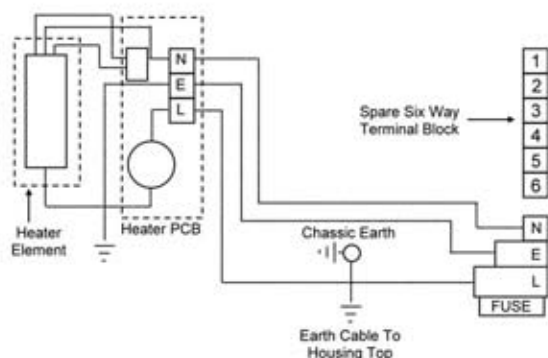
B. Quick release clips if removal of cover is required

### 3. Housing Cover Hook (If removing housing cover)

This feature is optional. When installing the bracket attach the hook to the left hand screw of the bracket (as shown)



# WIRING DIAGRAM



## POWER CONSUMPTION

Dual Voltage (12dc/24vac) 12v = 800Ma @ 15c  
24v = 1.2A @ 15c (Recommended to use 2A PSU)

### **\*\* WARNING \*\***

- 1. If removing the housing top make sure that earthcable connector has been unplugged and ensure it is reconnected before closing the housing*
- 2. Always disconnect the power supply before working on the housing*

## CONTENTS LIST

### **Main Pack**

1 x Allen Key  
3 x Wall Plugs  
3 x Wall Screws  
3 x Washers

### **Pack A - Camera Mounting**

1 x Rubber washer  
1 x Recess washer  
1 x 1/4" UNC mounting screw

### **Pack B - Bracket to housing fixings**

4 x Screws

# HAYDON

TEL 0044 (0)1905 772222 FAX 0044 (0)1905 779555

[www.haydonmarketing.com](http://www.haydonmarketing.com)