

VKCD-1338

Home | Security | Domes | Fixed

VKCD-1338

1/3" Dome, Fixed, Colour, tinted, 4-9mm, 600TVL,

DNR, OSD, SBLC, 12VDC

Art-Nr. 92695



Main Features

1/3" Super HAD II colour/b&w CCD sensor
Integrated F1.2/4-9mm varifocal DC iris lens
Sensitivity of 0.18Lux at F1.2 (colour & b/w)
On-screen menu control
Digital noise reduction (DNR)
Intelligent backlight compensation (SBLC)

Privacy masking/mirror function/motion detection
Automatic/manual white balance (AWB)
High speed shutter control (ESC & MES)
Manual 3-axis camera gimbal
Supply voltage: 12VDC
For wall and ceiling flush and surface mounting

Specifications

System	day&night
Video standard	PAL
Sensor size	1/3"
Imager	CCD, Sony Super HAD II Interline Transfer
Active picture elements	440,000 (H) 752 x (V) 582
Horizontal resolution	600 TVL
Synchronization	internal
Signal-to-noise ratio	50dB (AGC OFF)
Gamma correction	0.35 / 0.45 / 0.6 / 0.75 selectable
Sensitivity (at 50% video signal)	0,18 Lux, at F1.2 (measured)
Automatic gain control (AGC)	ON/OFF, 0~20dB adjustable
Automatic electronic shutter (ESC)	1/50 ~ 1/120,000sec. (ON/OFF switchable)
Manual electronic shutter (MES)	1/50 ~ 1/120,000sec.

VKCD-1338

(Continuation Specifications)

Low speed shutter	no
Digital Noise Reduction (DNR)	yes
Backlight compensation	SBLC, OFF/Low/Mid/High selectable
Wide Dynamic Range (WDR)	no
White balance	automatic, manual, push to set
Aperture Correction (APC)	horizontal, vertical
Flickerless function	ON/OFF switchable
IR cut filter	OLPF (Overlay Low Pass Filter)
Day/Night switching	automatic and manual
Privacy zones masking	4 areas, masking, X/Y start/end
Menu languages	English, Chinese
OSD function control	iris, shutter control, white balance, AGC, colour/B&W, BLC, digital noise reduction (DNR), sharpness, mirror horizontal, motion detection, privacy zones, language
Text display	8 character labels, ON/OFF switchable
Activity detection	yes
Motion detector	4 zones, ON/OFF switchable
Mirror function	horizontal
Digital zoom	no
Analysis functions	no
Lens type	varifocal
Focal length	3,8 mm - 9,5 mm
Horizontal angle of view	74,2° - 30°
MOD (Minimum object distance)	0,15 m
Aperture range (F)	F1.4
Video outputs	composite (CVBS), 1Vp-p, CVBS, 75ohms
Alarm inputs	no
Alarm outputs	no
Rotation range	359°
Illumination	no
External connections	video (BNC), voltage input
Serial interfaces	no
Housing	outdoor
Housing material	aluminium
Bubble	100mm diameter, Vandal resistant 3mm -tinted- polycarbonate with high resistance
Colour (bubble)	tinted
Colour (housing)	Pantone Cool Gray 1C
Heater	no
Mounting	wall mount, ceiling mount

VKCD-1338

(Continuation Specifications)

Supply voltage	12VDC, (+/-20%)
Power consumption	1.8W
Temperature range (operation)	-10°C ~+50°C
Protection rating	IP65
Vandalism resistant	yes
Dimensions (HxWxD)	see drawing
Weight	840g
Parts supplied	dome camera, bag of screws, test monitor cable, DC cable with open ends, drilling template, manual
Certificates	CE, DGUV test certificate

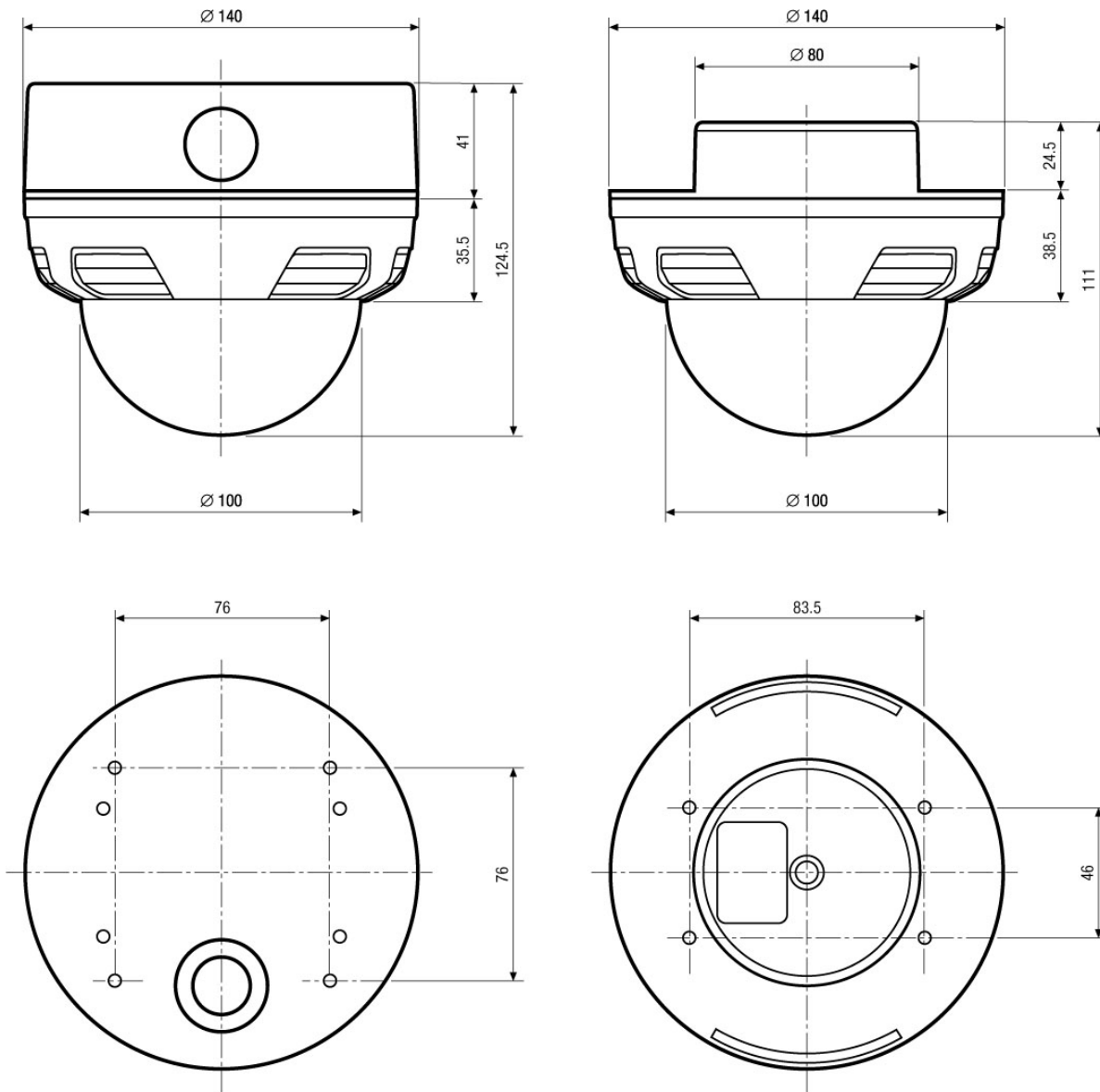
Optional accessories

70495	VT-PS12DC-7	Plugable PSU w. Cont. & UK Mains plug-in 100- 240VAC/12VDC-1.25A, Regulated
77773	VT-PS12DCDT1	PSU 12VDC/1.0A, Regulated, Desktop Version, 1.8m Cables each w. open ends
70535	VT-PS12DC-8	Plug-in Power Supply Unit 100-240VAC 12VDC (1.0Amp), Regulated, with DC Plug

VKCD-1338

Home | Security | Domes | Fixed

Technical drawing



Maße/Dimensions: mm



VIDEOR