


**BOSCH**

Invented for life

# EX10 Extreme Environment Camera



- ▶ **Weatherproof and insulated for hot and cold environments**
- ▶ **Installer-friendly, easy-access camera compartment**
- ▶ **Extreme weather sealed, waterproof and IP67 compliant**
- ▶ **Reduced power consumption, no requirement for internal heater or fan**
- ▶ **Operating temperature range from -60°C to +60°C**

The EX10 series is particularly suited for harsh weather applications. The simple, effective design allows performance in the most challenging of environmental conditions, including wash-down facilities, corrosive environments and sub-zero temperatures.

Made of an injection-molded ABS/Nylon resin, the EX10 series is engineered specifically to withstand hot, cold and wet environments. An insulated inner chamber eliminates the requirement for internal heaters and blowers. Compliant to IP67, the EX10 series also features an easy-access camera compartment for easy camera/lens adjustments and installation.

Rugged, compact, power protected and extreme weather-sealed, the EX10 is the ideal camera for harsh environments in day or dark conditions. The EX10 comes complete with a nylon or stainless steel wall bracket for quick and easy installation.

- Industrial freezers
- Oil rigs

## Certifications and Approvals

CSA Type 6	Outdoor weather rating
CSA C22.2 No 0-M1991	General electrical eqts, part II
CSA C22.2 No 1-M94	Audio, video, and similar equipment
CSA C22.2 No 94-M91	Special purpose enclosures
UL Std No 50	Enclosures for electrical equipment
UL Std No 2044	Commercial CCTV equipment
FCC Class B	

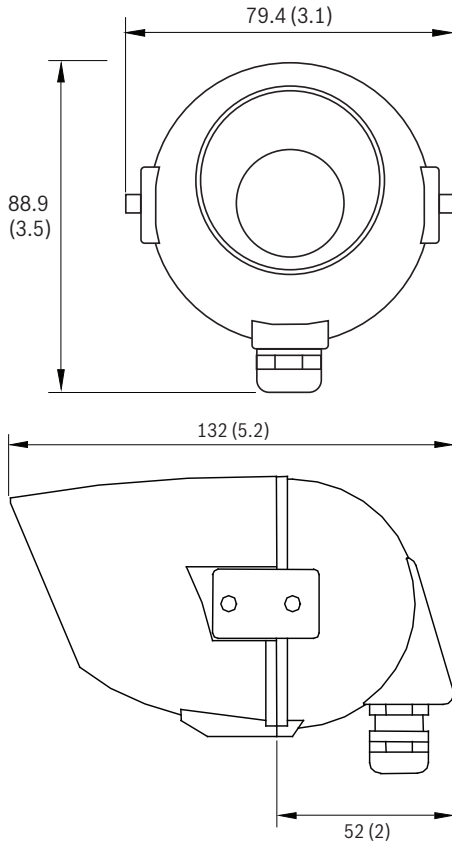
## Functions

### Applications

- Food processing
- Clean rooms
- Marinas
- Acid / alkali environments
- Swimming pools
- Sewage treatment plants

**Installation/Configuration Notes**

**Dimensions**



mm (in)

**Parts Included**

- Universal mounting bracket included

**Technical Specifications**

**C7 Hi-Res Color**

Image Sensor	1/3 in. Interline SuperHAD
Resolution	500 TVL
Effective Pixels NTSC	768 (H) x 494 (V)
Effective Pixels PAL	768 (H) x 494 (V)
Sensitivity	2.7 Lux at F1.4
S/N Ratio	Greater than 48 dB

**M4 Hi-Res Day/Night**

Image Sensor	1/3 in. SuperHAD CCD
Resolution	540 TVL color / 540 TVL monochrome
Effective Pixels NTSC	768 (H) x 494 (V)
Effective Pixels PAL	752 (H) x 582 (V)
Sensitivity	0.06 Lux with F1.4 lens
S/N Ratio	Greater than 48dB

**MX4 Extended Day/Night**

Image Sensor	1/3 in. LXR CCD
Resolution	540 TVL color / 540 TVL monochrome
Effective Pixels NTSC	768 (H) x 494 (V)
Effective Pixels PAL	752 (H) x 582 (V)
Sensitivity	0.02 Lux with F1.4 lens
S/N Ratio	Greater than 48dB

**All Models**

Video Output	1 Vpp, 75 ohm
Gamma	0.45
Gain Control	> 18 dB
Electronics Iris	1/60 to 1/100,000 (NTSC) 1/50 to 1/100,000 (PAL)

Voltage Supply	12 to 24 AC/DC
Power Consumption	120 mA at 12 VDC, 1.4 W (max)

Enclosure	Injection-molded nylon
Window	Polycarbonate
Dimensions	132 x 76 mm 5.2 x 3.0 in
Weight	0.375 kg (0.8 lb)

Operation Temperature Range	-60 °C to +60 °C (-76 °F to 140 °F)
-----------------------------	-------------------------------------

Environmental	IP67, NEMA6, NEMA6P compliant
---------------	-------------------------------

**Ordering Information**

<b>EX10C704B-N Extreme Environment Camera</b> 1/3 in. hi-res color, 500TVL, 3.6 mm lens, NTSC	<b>EX10C704B-N</b>
<b>EX10C706B-N Extreme Environment Camera</b> 1/3 in. hi-res color, 500TVL, 6 mm lens, NTSC	<b>EX10C706B-N</b>
<b>EX10C712B-N Extreme Environment Camera</b> 1/3 in. hi-res color, 500TVL, 12 mm lens, NTSC	<b>EX10C712B-N</b>
<b>EX10C704B-P Extreme Environment Camera</b> 1/3 in. hi-res color, 500TVL, 3.6 mm lens, PAL	<b>EX10C704B-P</b>
<b>EX10C706B-P Extreme Environment Camera</b> 1/3 in. hi-res color, 500TVL, 6 mm lens, PAL	<b>EX10C706B-P</b>
<b>EX10C712B-P Extreme Environment Camera</b> 1/3 in. hi-res color, 500TVL, 12 mm lens, PAL	<b>EX10C712B-P</b>
<b>EX10M404B-N Extreme Environment Camera</b> 1/3 in. hi-res day/night, 540/540TVL, 3.6 mm lens, NTSC	<b>EX10M404B-N</b>
<b>EX10M406B-N Extreme Environment Camera</b> 1/3 in. hi-res day/night, 540/540TVL, 6 mm lens, NTSC	<b>EX10M406B-N</b>
<b>EX10M412B-N Extreme Environment Camera</b> 1/3 in. hi-res day/night, 540/540TVL, 12 mm lens, NTSC	<b>EX10M412B-N</b>
<b>EX10M404B-P Extreme Environment Camera</b> 1/3 in. hi-res day/night, 540/540TVL, 3.6 mm lens, PAL	<b>EX10M404B-P</b>
<b>EX10M406B-P Extreme Environment Camera</b> 1/3 in. hi-res day/night, 540/540TVL, 6 mm lens, PAL	<b>EX10M406B-P</b>
<b>EX10M412B-P Extreme Environment Camera</b> 1/3 in. hi-res day/night, 540/540TVL, 12 mm lens, PAL	<b>EX10M412B-P</b>
<b>EX10MX404B-N Extreme Environment Camera</b> 1/3 in. extended day/night, 540/540TVL, 3.6 mm lens, NTSC	<b>EX10MX404B-N</b>
<b>EX10MX406B-N Extreme Environment Camera</b> 1/3 in. extended day/night, 540/540TVL, 6 mm lens, NTSC	<b>EX10MX406B-N</b>

**Ordering Information**

<b>EX10MX412B-N Extreme Environment Camera</b> 1/3 in. extended day/night, 540/540TVL, 12 mm lens, NTSC	<b>EX10MX412B-N</b>
<b>EX10MX404B-P Extreme Environment Camera</b> 1/3 in. extended day/night, 540/540TVL, 3.6 mm lens, PAL	<b>EX10MX404B-P</b>
<b>EX10MX406B-P Extreme Environment Camera</b> 1/3 in. extended day/night, 540/540TVL, 6 mm lens, PAL	<b>EX10MX406B-P</b>
<b>EX10MX412B-P Extreme Environment Camera</b> 1/3 in. extended day/night, 540/540TVL, 12 mm lens, PAL	<b>EX10MX412B-P</b>
<b>Accessories</b>	
<b>BRKU10 U-type Bracket</b> Bracket, U-type for EX10, black	<b>BRKU10</b>
<b>EXPS.008 VAC Power Supply</b> Power supply 120 VAC/ 24 VAC 1500 mA	<b>EXPS.008</b>
<b>PSU-230-24 Power Supply</b> Power Supply, 230 VAC / 24 VAC, 50 W	<b>PSU230-24</b>

**Americas:**  
Bosch Security Systems, Inc.  
130 Perinton Parkway  
Fairport, New York, 14450, USA  
Phone: +1 800 289 0096  
Fax: +1 585 223 9180  
security.sales@us.bosch.com  
www.boschsecurity.us

**Europe, Middle East, Africa:**  
Bosch Security Systems B.V.  
P.O. Box 80002  
5600 JB Eindhoven, The Netherlands  
Phone: + 31 40 2577 284  
Fax: +31 40 2577 330  
emea.securitysystems@bosch.com  
www.boschsecurity.com

**Asia-Pacific:**  
Robert Bosch (SEA) Pte Ltd, Security Systems  
38C Jalan Pemimpin  
Singapore 577180  
Phone: +65 6319 3453  
Fax: +65 6319 3499  
apr.securitysystems@bosch.com  
www.boschsecurity.com

**Represented by**