

Installation Accessories

Ampetronic supply a comprehensive range of accessories to facilitate the installation of induction loop systems. The copper tape, warning tape and plastic extrusion simplify installation of loops under floor coverings such as carpets, vinyls, laminates and wood. The 19 inch rack mount accessories are compatible with all our equipment and enable simple, tidy and professional looking installations.

The logos add the finishing touch, advertising the presence of a professional induction loop system.



Copper Foil Tape - FB 1.8

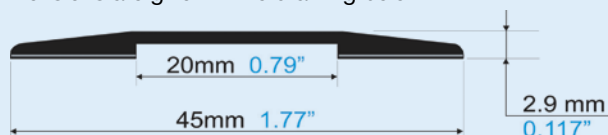
The standard flat foil cable supplied by Ampetronic is 18 mm (0.71") wide, with a copper section of 1.8 mm². The cable is supplied in 50 metre (160 ft) reels. The construction of the cable is copper foil of 0.1 mm thickness, covered in bonded Polyester film. Total thickness is 0.25 mm (0.01").

Installation Warning Tape - PWT

Ampetronic supply a special high quality tape, 50 mm (2") wide, colour white, printed with a warning text and deaf logo in blue. This tape is designed to fix the copper foil tape to the floor, indicating clearly the importance of the cable installed in that location. The tape is supplied in 50 metre (160 ft) reels.

PVC Extrusion - EXT

This is a high density PVC extrusion, supplied in 3 metre sections, for covering the copper tape in areas where a high level of physical protection is needed, such as exposed floors, skirting boards etc. Colour is light grey. Normal fixing is by means of the extra heavy duty adhesive strip fitted to the edges of the extrusion, but in exceptional cases screws or special fixing pins can be used in addition. It is essential that the fixing surface should be free of grease, polish or dust. The dimensions are given in the drawing below.



Direct Burial Cable - DBC

PVC cable can not be used for burial in concrete as the corrosive effects of alkalis present in cement based compounds will lead to failure of the loop over time. This specialised HDPE (High Density Polyethylene) cable offers more durable insulation when compared to standard PVC wire and ensures protection where a loop wire needs to be installed in a concrete screed. Available in 200m rolls.

Logos

Two different sizes of the deaf logo are supplied with the equipment. The large size logo is supplied with the ILD9, ILD300, ILD500 and ILD1000G. This logo is double sided, printed in standard blue colour, on white rigid sheet, 0.62mm thick. The small logo is supplied with the ILD20, ILD100 and CLD1 - 0.25mm thick. It is double sided, printed on 0.25mm plastic sheet, with one side coated with a fully transparent adhesive for fitting to glass panels. Both logos are available for sale separately.

Code:	GC402	GC401
Size:	Small	Large
width:	99 mm	197 mm
height:	128 mm	252 mm

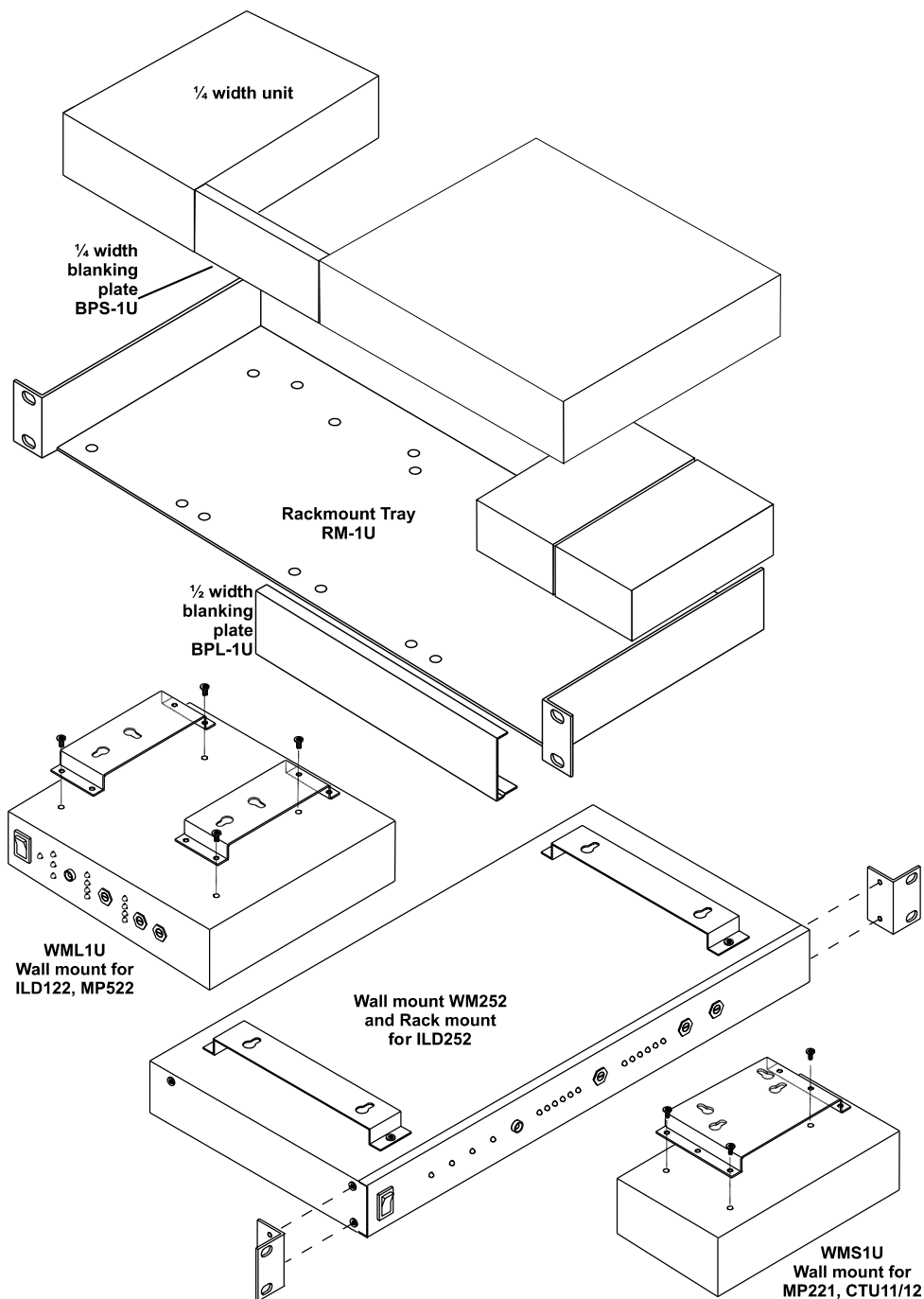
Equipment Mounting Accessories

Accessories for the professional mounting of all Ampetronic loop drivers and ancillary equipment are available. Units and Blanking Plates can be fitted in a variety of positions across the 1U, 19 inch tray.

The MP101, PS3, SP5 are S width units

The MP221, CTU11 & CTU12 are ¼ width units

The MP522, ILD122 & ILD300 are ½ width units



AMPETRONIC



Issue no UP30003-5

www.ampetronic.com
sales@ampetronic.com
support@ampetronic.com
phone +44 (0)1636 610062
fax +44 (0)1636 610063

Northern Road, Newark NG24 2ET. United Kingdom

DISTRIBUTOR